

NOTES:

1.MATERIAL:

HOUSING: THERMAL PLASTIC, GLASS FILLED, UL94V-0, COLOR: BLACK;
 COVER: THERMAL PLASTIC, COLOR: BLACK;
 TERMINAL: COPPER ALLOY.

2.TERMINAL:

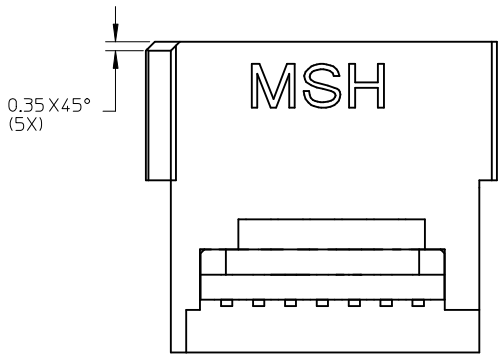
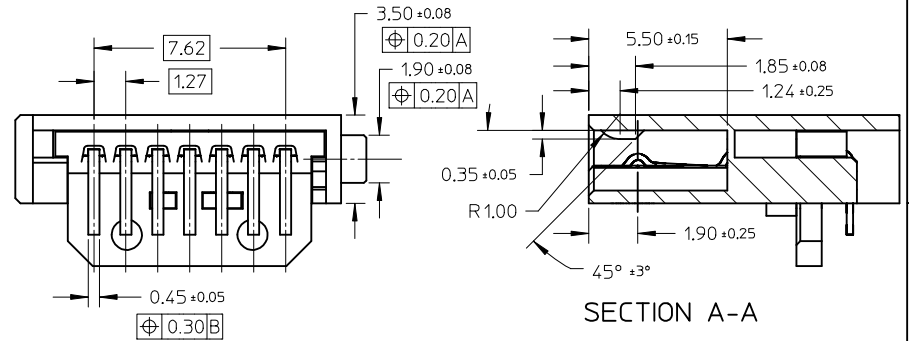
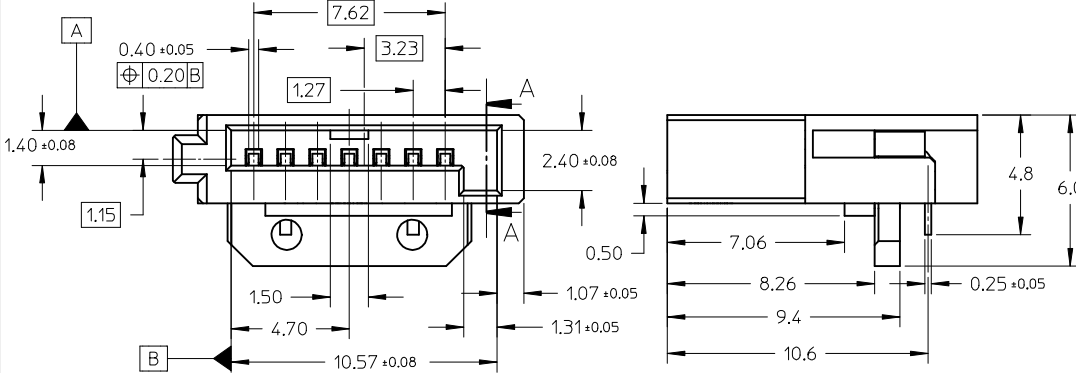
CONTACT AREA: GOLD PLATED;
 SOLDER TAIL: TIN, THICKNESS=1.27 MICRONS MINIMUM;
 UNDER PLATE: NICKEL, THICKNESS=1.27 MICRONS MINIMUM.

3.PACKAGING: TRAY. REFER TO PK-67489-001.

4.PRODUCT SPECIFICATION REFER TO PS-67490-00*.

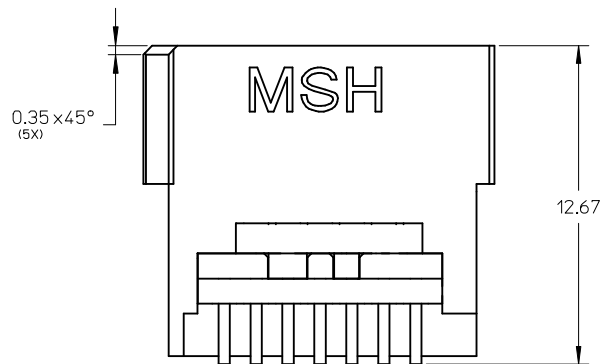
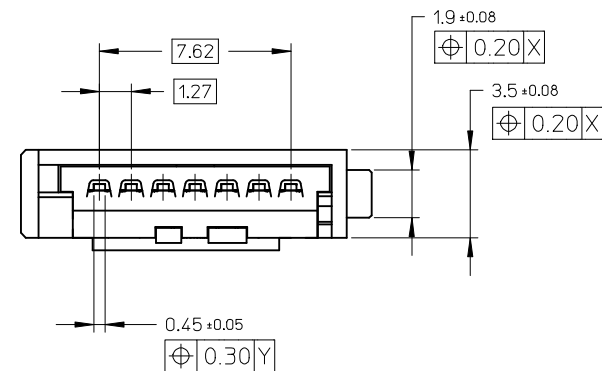
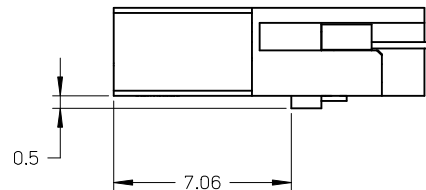
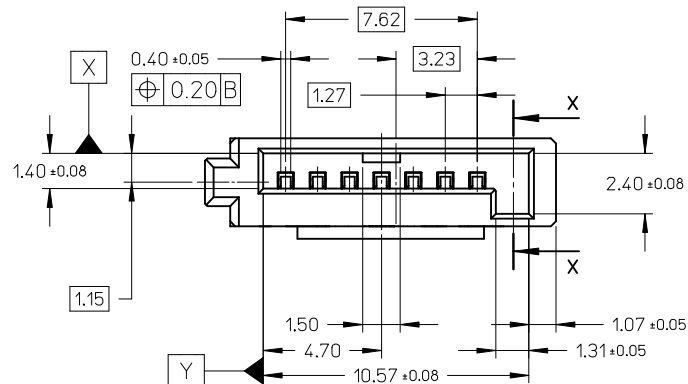
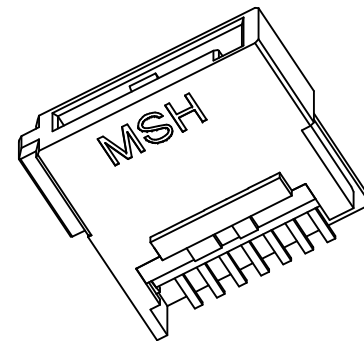
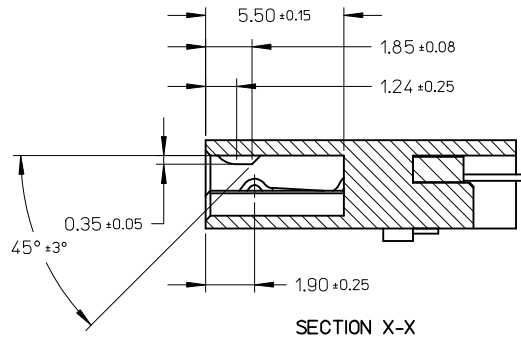
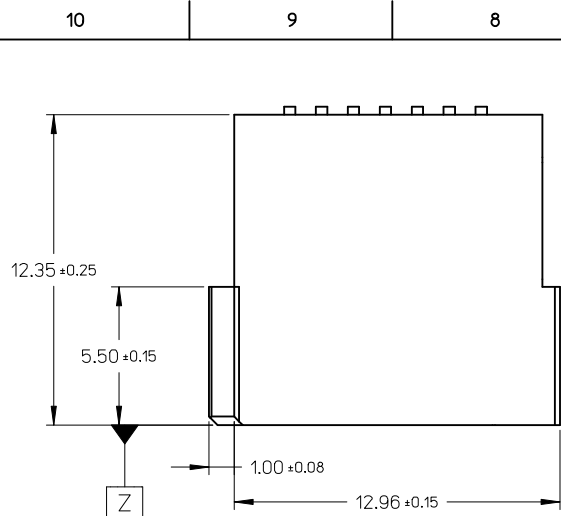
5.MATING PART 67490,67491,67811,47080 SERIES.

6.PRODUCT COMPLIANT TO RoHS DIRECTIVE 2002/95/EC AND ELV DIRECTIVE 2000/53/EC.



P/N	COMMENTS
67489-1001	GOLD FLASH
67489-1002	GOLD PLATED 0.76 MICRONS
67489-1005	GOLD PLATED 0.38 MICRONS
67489-1081	GOLD FLASH & HF
67489-1082	GOLD PLATED 0.76 MICRONS & HF
67489-1085	GOLD PLATED 0.38 MICRONS & HF

REVISED EC NO: SH2011-0353 DRWN: XJSONG CHYD: APPR: RZHANG 2011/05/25 2011/05/26	QUALITY SYMBOLS $F_A=0$ $F_C=0$ $F_D=0$	GENERAL TOLERANCES (UNLESS SPECIFIED)		DIMENSION STYLE MM ONLY		SCALE 1:1	DESIGN UNITS METRIC	THIRD ANGLE PROJECTION		
			mm	INCH	DRAWN BY	DATE	TITLE			
		4 PLACES	± ---	± ---	GRATE MA	2004/03/25	SERIAL ATA RECEPTACLE SIGNAL CABLE CONNECTOR WITHOUT METAL LATCH			
		3 PLACES	± ---	± ---	CHECKED BY	DATE				
2 PLACES	± 0.2	± ---	YA JUN	2004/03/25	MOLEX INCORPORATED					
1 PLACE	± 0.3	± ---	APPROVED BY	DATE						
ANGULAR ± 1 °		DRAFT WHERE APPLICABLE MUST REMAIN WITHIN DIMENSIONS		MATERIAL NO. SEE TABLE		DOCUMENT NO. SD-67489-003		SHEET NO. 1 OF 2		
THIS DRAWING CONTAINS INFORMATION THAT IS PROPRIETARY TO MOLEX INCORPORATED AND SHOULD NOT BE USED WITHOUT WRITTEN PERMISSION										



THESE ARE ONLY FOR 67489-80**

P/N	PLATING TYPE	REMARK
67489-8001	GOLD FLASH	
67489-8002	GOLD PLATED 0.76 MICRONS	WITH HALOGEN
67489-8005	GOLD PLATED 0.38 MICRONS	
67489-8081	GOLD FLASH	
67489-8082	GOLD PLATED 0.76 MICRONS	HALOGEN FREE
67489-8085	GOLD PLATED 0.38 MICRONS	

SEE SHEET1 EC NO: SH2011-0353 DRWN: XJ.SONG CHKD: APPR: R.ZHANG REV	QUALITY SYMBOLS $\nabla_{F_A} = 0$ $\nabla_{F_C} = 0$ $\nabla_{F_D} = 0$	GENERAL TOLERANCES (UNLESS SPECIFIED) <table border="1"> <thead> <tr> <th></th> <th>mm</th> <th>INCH</th> </tr> </thead> <tbody> <tr> <td>4 PLACES</td> <td>± ---</td> <td>± ---</td> </tr> <tr> <td>3 PLACES</td> <td>± ---</td> <td>± ---</td> </tr> <tr> <td>2 PLACES</td> <td>± 0.2</td> <td>± ---</td> </tr> <tr> <td>1 PLACE</td> <td>± 0.3</td> <td>± ---</td> </tr> </tbody> </table>		mm	INCH	4 PLACES	± ---	± ---	3 PLACES	± ---	± ---	2 PLACES	± 0.2	± ---	1 PLACE	± 0.3	± ---	DIMENSION STYLE MM ONLY	SCALE 1:1	DESIGN UNITS METRIC	THIRD ANGLE PROJECTION
		mm	INCH																		
	4 PLACES	± ---	± ---																		
	3 PLACES	± ---	± ---																		
2 PLACES	± 0.2	± ---																			
1 PLACE	± 0.3	± ---																			
DRAWN BY GRATE MA CHECKED BY YA JUN APPROVED BY SAM MATERIAL NO.	DATE 2004/03/25 DATE 2004/03/25 DATE 2004/03/25	TITLE SERIAL ATA RECEPTACLE SIGNAL CABLE CONNECTOR WITHOUT METAL LATCH	MOLEX INCORPORATED	DOCUMENT NO. SD-67489-003	SHEET NO. 2 OF 2																
DRAFT WHERE APPLICABLE MUST REMAIN WITHIN DIMENSIONS	SIZE A3	THIS DRAWING CONTAINS INFORMATION THAT IS PROPRIETARY TO MOLEX INCORPORATED AND SHOULD NOT BE USED WITHOUT WRITTEN PERMISSION																			