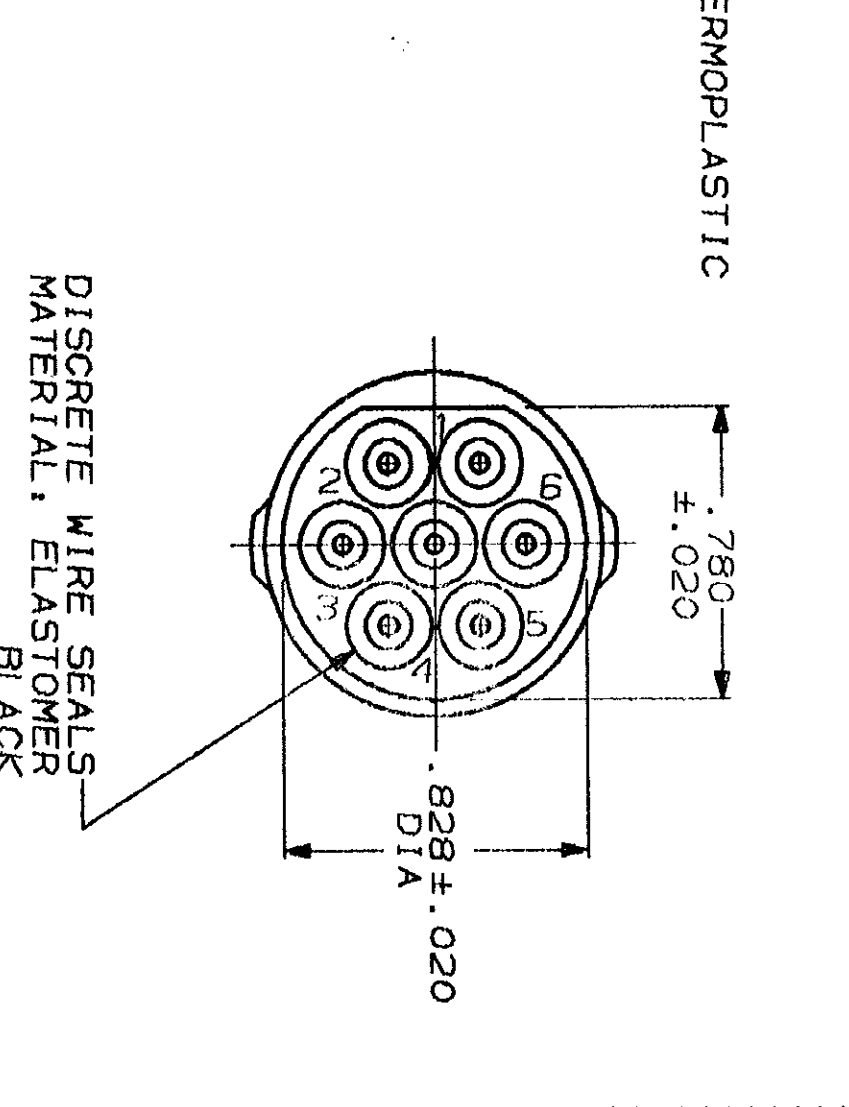
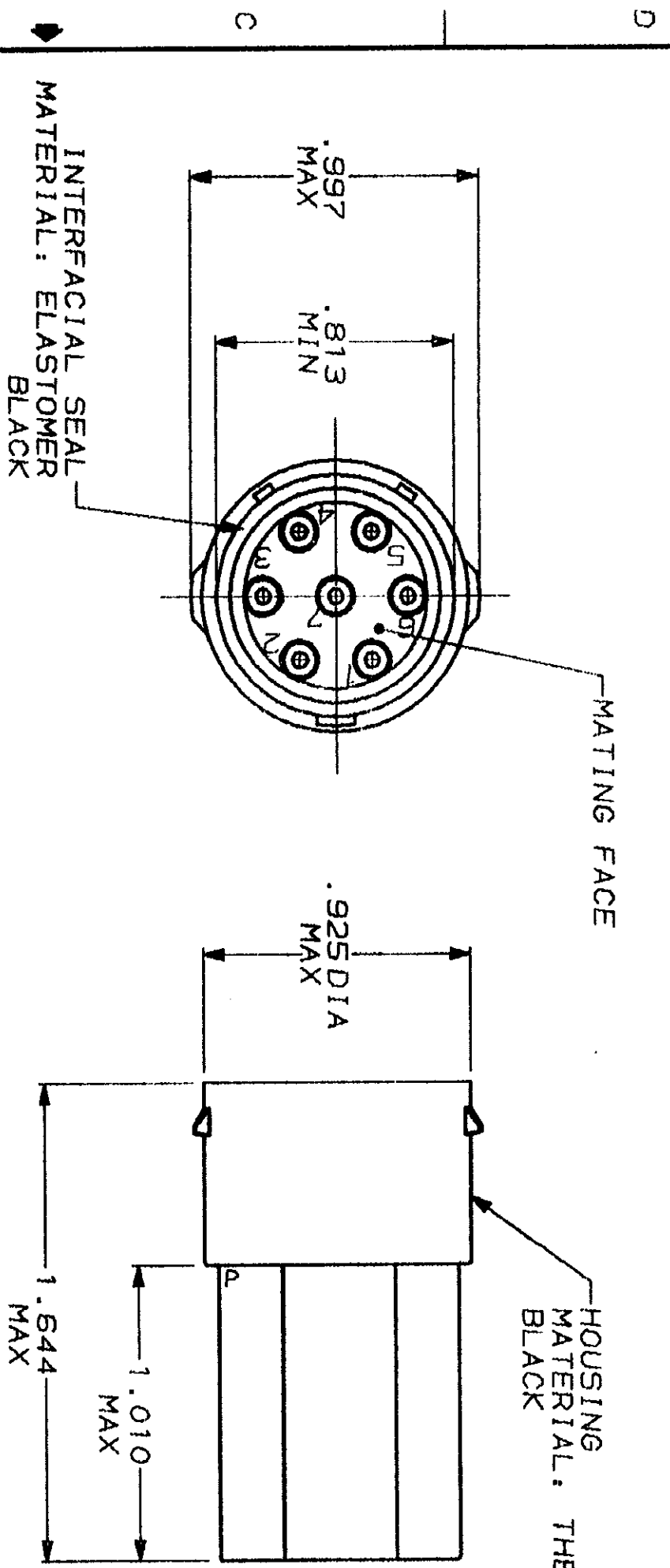


DRAWING MADE IN THIRD ANGLE PROJECTION
 THIS DRAWING IS UNPUBLISHED. RELEASED FOR PUBLICATION
 © COPYRIGHT 19 BY AMP INCORPORATED. ALL INTERNATIONAL RIGHTS RESERVED.

MOD	LOC	DIST
23	BD	39

P	F	ZONE	LTR
		G	

REVISIONS	DESCRIPTION	DATE	APPD
1	REDRAWN AND REV PER ECN BD4183	8-20-80	KB



1. WIRE INSULATION SEALING RANGE .070-.130 DIA.
2. THIN MEMBRANE PERMISSIBLE ON SMALL DIAMETER OF WIRE SEALS.

NO	207573-2	PART NUMBER
YES	207573-1	SEALS

DO NOT SCALE PRINT. DIMENSIONS SPECIFIED IN INCHES		DR	5-20-80	DATE	1-18-91
TOLERANCES UNLESS SPECIFIED		CHK	J. GALLAGHER	APPD	J. GALLAGHER
1 FRACTIONAL		NAME			
2 DECIMAL		AMP INCORPORATED			
3 PLACES		Harrisburg, Pa. 17105			
4 ANGLES		RECEPTACLE, 7 POSITION,			
MATERIAL		STANDARD CIRCULAR			
SEE CALLOUT		SEALED CONNECTOR			
FINISH		SCALE	B	FSCM NO	00779
		WEIGHT	2:1	DRAWING NO	207573
				SHEET	1 OF 1