

# MICRO SWITCH

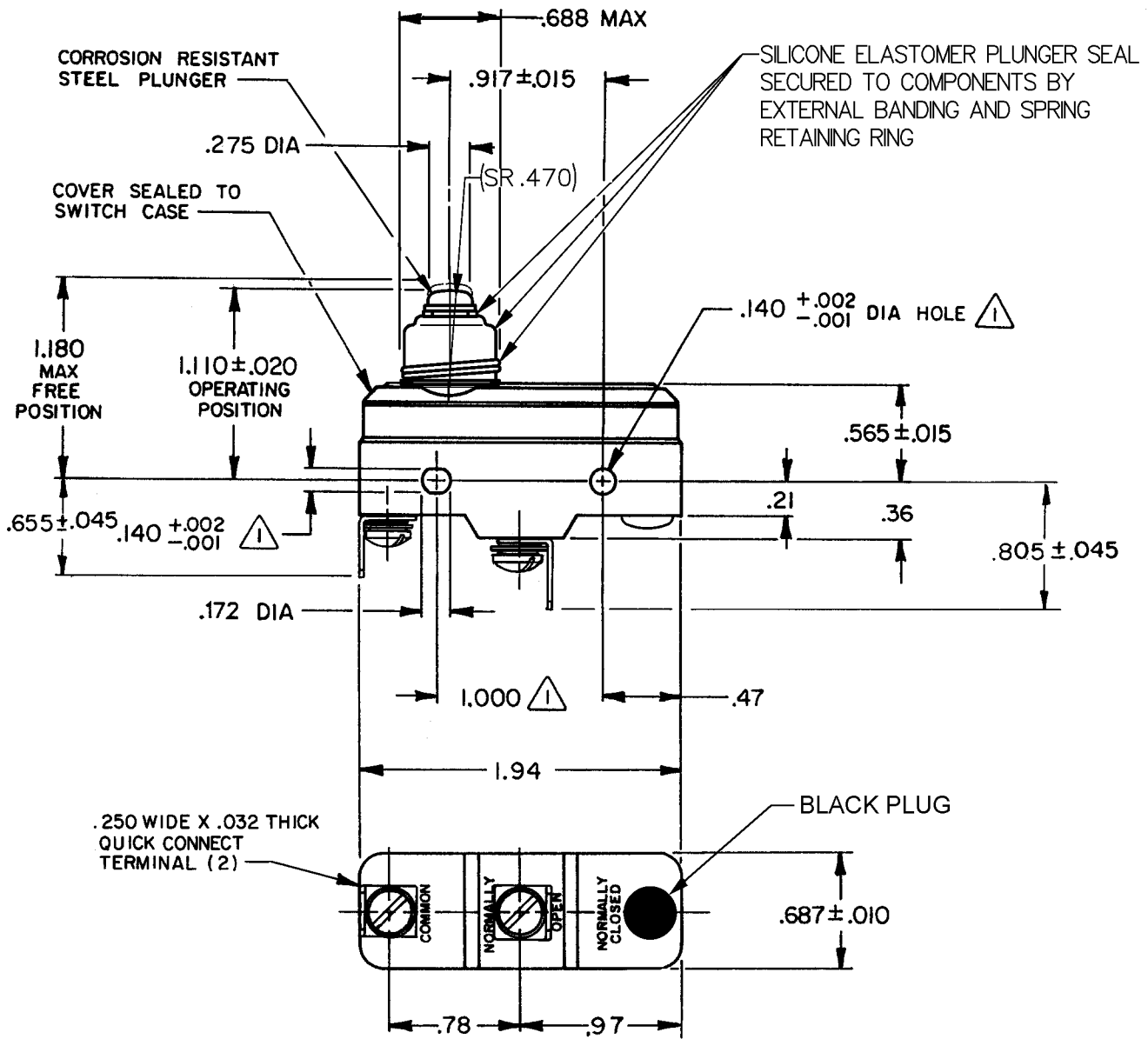
FREEMONT ILLINOIS, U.S.A  
A DIVISION OF HONEYWELL  
FED. MFG. CODE 91929

# SWITCH - BASIC

CATALOG LISTING

## YZ-2RDS5551-D6

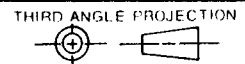
**YZ-2RDS5551-D6**  
 PAGE 1 OF 1  
 RELEASE NO. PR-14099  
 REPLACES X81359-YZ  
 DRAWING NUMBER  
**9**  
 ISSUE



- NOTES**
- ① MOUNTING HOLES WILL ACCEPT PINS OR SCREWS OF .139 MAX DIA ON 1.000 ± .002 CENTERS
  - 2 - SEALED CONSTRUCTION PROVIDES SPLASH RESISTANCE

REVISIONS	
A	C067209 JAP 3 MAY 90
B	C071458 JAL 21 NOV 91
C	CO-77588 KDR 29 MAR 94
D	78275 SAD 22 JUL 94
E	CO-80938 DLT 12 JUN 95
F	C083108 GJW 13 JUN 96
G	C093346 DLT 22 SEP 98
H	0000677 JLH 25 JUN 03

THIS DRAWING COVERS A PROPRIETARY ITEM AND IS THE PROPERTY OF MICRO SWITCH, A DIVISION OF HONEYWELL. THIS DRAWING IS NOT TO BE COPIED OR USED WITHOUT THE APPROVAL OF MICRO SWITCH.



CHARACTERISTICS	
OPERATING FORCE	----- 13-19 OZ
RELEASE FORCE	----- 4 OZ MIN
DIFFERENTIAL TRAVEL	---.0004-.0025
OVERTRAVEL	----- .060 MIN

ELECTRICAL DATA	
CONTACT ARRANGEMENT S P N O	
L96	15A 125, <u>250</u> OR 480 VAC 1/8 HP 125 VAC, 1/4 HP <u>250</u> VAC 1/2A 125 VDC, 1/4A 250 VDC
L288 L299 L306	
16A 250V ~ T85 5E4	

SCALE FULL			
DO NOT SCALE PRINT			
TOLERANCES			
APPLY TO DESIGN UNITS. CONVERSIONS ARE ONLY FOR REFERENCE. UNLESS NOTED, TOLERANCES ARE ±			
DIM. mm	TOL. mm/in	DIM. in	TOL. mm/in
NO PLACES	X	1/64	X X
ONE PLACE	X,X	0.4/0.016	X X X
TWO PLACES	X,XX	0.15/0.006	X X X X
THREE PLACES	X,XXX		X X X X X
ANGLES			
SI METRIC		US CUSTOMARY	
DESIGN UNITS <input type="checkbox"/>		US CUSTOMARY <input checked="" type="checkbox"/>	
WEIGHT .085 LB			

RASTER  
 DRAWN  
 GJW  
 5 AUG 85  
 CHECK  
 KAG  
 9 AUG 85