

4

3

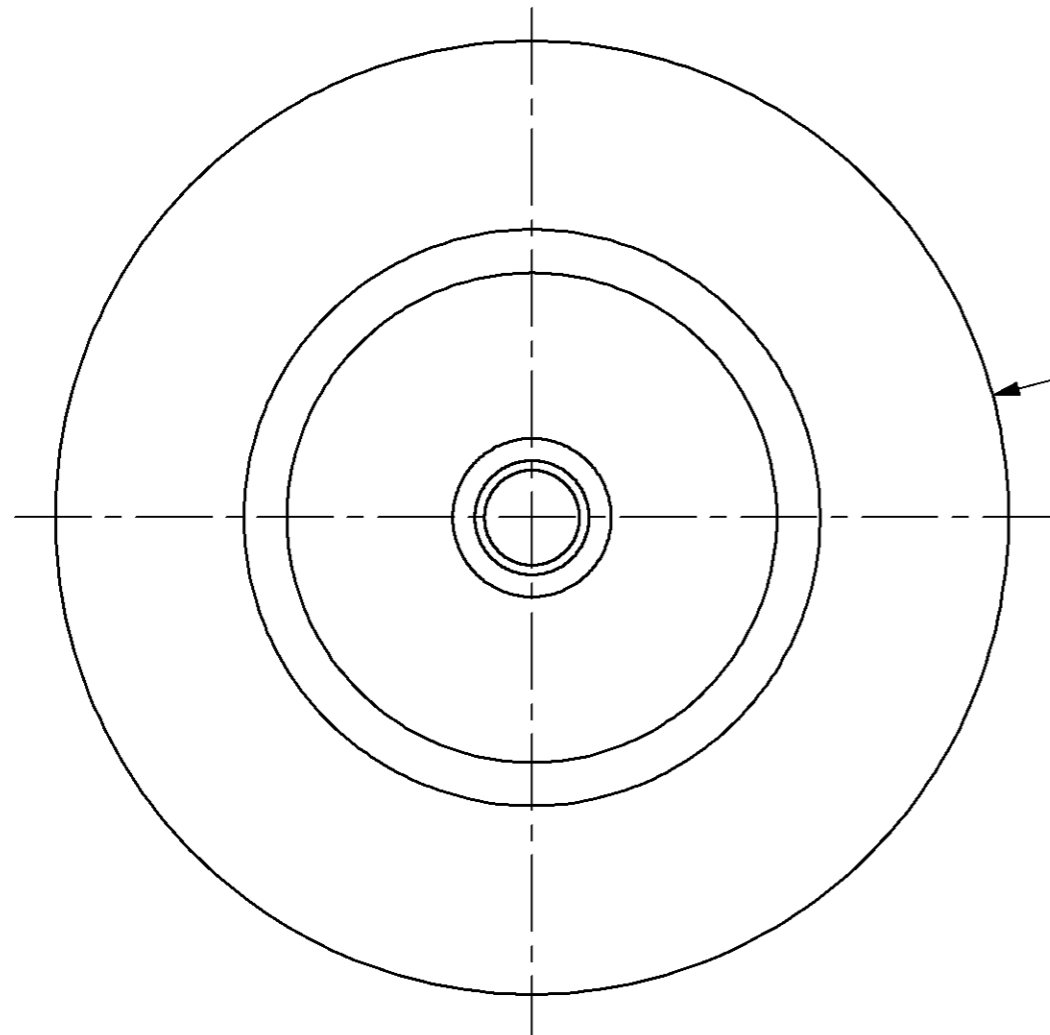
2

1

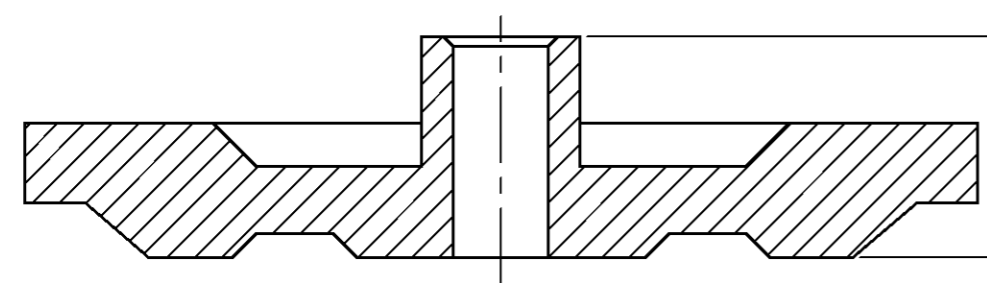
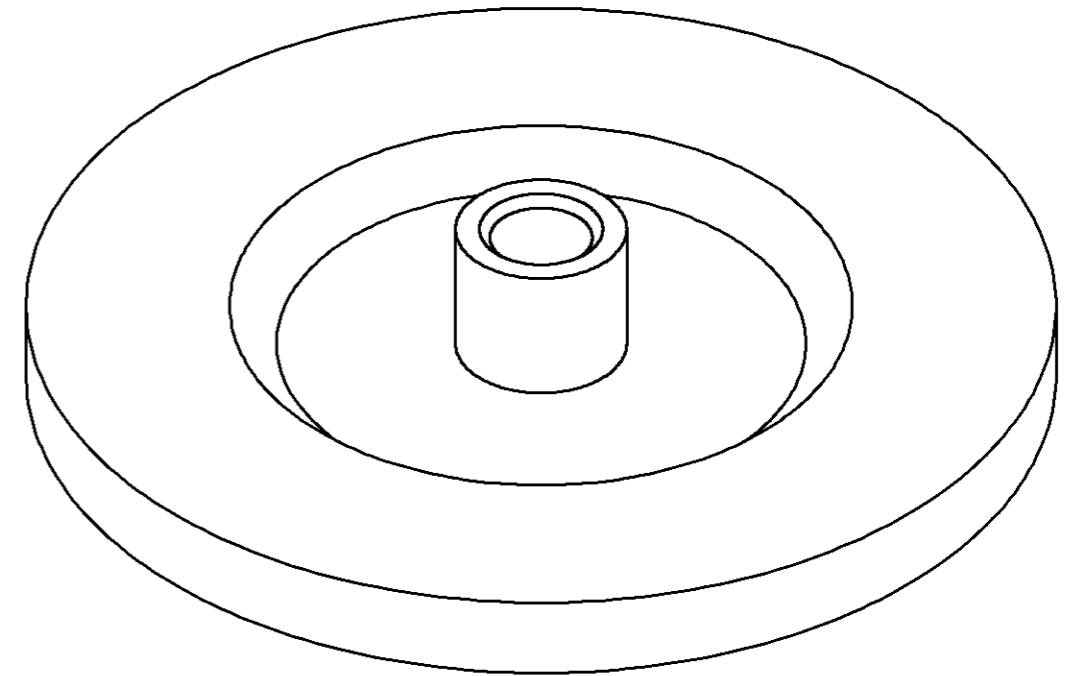
THIS DRAWING IS UNPUBLISHED. RELEASED FOR PUBLICATION, 19 .

© COPYRIGHT 19 BY AMP INCORPORATED. ALL RIGHTS RESERVED.

LOC	DIST	REVISIONS			
P	LTR	DESCRIPTION	DATE	DWN	APVD
CE	16	0	RELEASE PER NPR 95-337	12-15-95	BB BP



∅ 25.27/25.15
[.995 / .990]



5.97/5.72
[.235 / .225]

504862-1
PART NUMBER

<small>THIS DRAWING IS A CONTROLLED DOCUMENT FOR AMP INCORPORATED. IT IS SUBJECT TO CHANGE AND THE CONTROLLING ENGINEERING ORGANIZATION SHOULD BE CONTACTED FOR THE LATEST REVISION.</small>		DWN	B. BRIGGS	AMP Incorporated Harrisburg, PA 17105-3608
DIMENSIONS: mm [INCHES]		CHK	B. PARKER	
		APVD	D. STAKEM	NAME
TOLERANCES UNLESS OTHERWISE SPECIFIED: 0 PLC ±- 1 PLC ±- 2 PLC ±- 3 PLC ±- 4 PLC ±- ANGLES ±-		PRODUCT SPEC	-	POLISHING BUSHING, FC, STC, AND BNC
MATERIAL STAINLESS STEEL		APPLICATION SPEC	-	SIZE
FINISH -		WEIGHT	-	CAGE CODE
		CUSTOMER DRAWING		DRAWING NO
				A3 00779 C-504862
				SCALE 5:1 SHEET 1 OF 1 REV 0