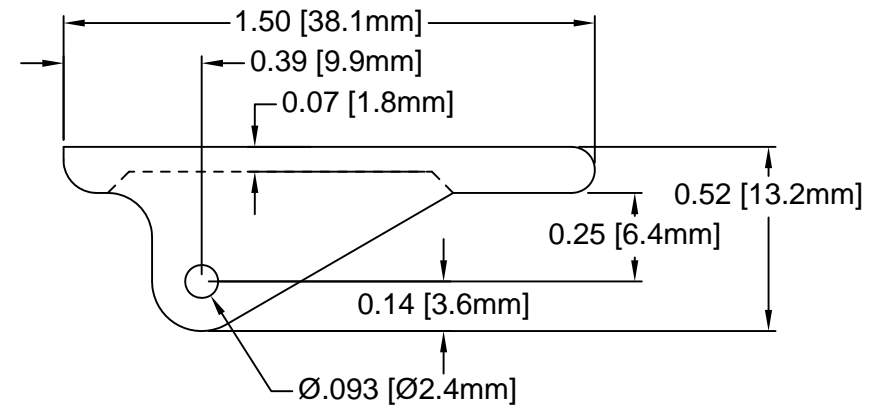
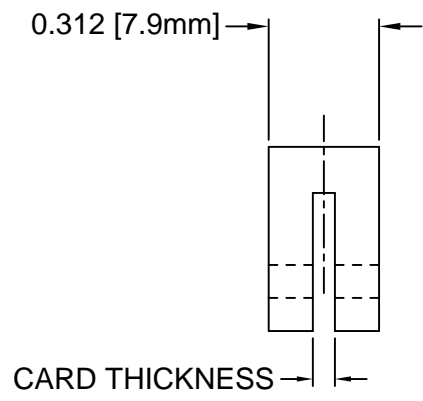
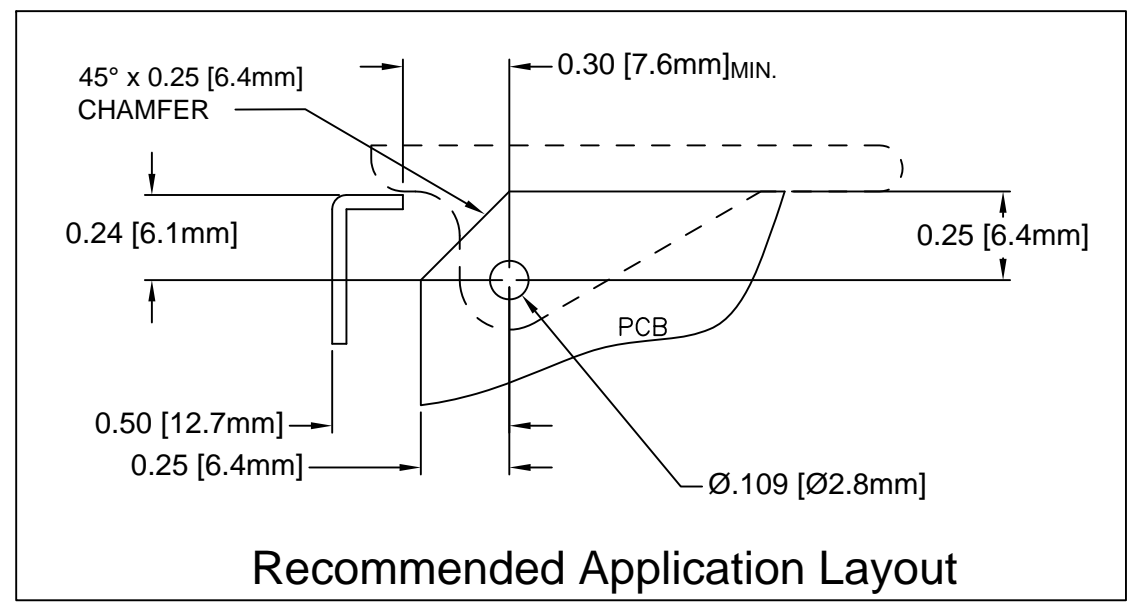


REV.	DESCRIPTION	DATE	APPROVED
B	Engineering Update w/o Changes	02/24/04	M. C.
C	Removed Part From Part Offering List	09/29/15	J. C.
D	Added Notes 3, 4, 5 & Color Options Sheet #2	05/16/16	J. C.



PART NO.	COLOR	ROLL PIN	CARD THICK.
CP-56 WE	WHITE	RP-312	1/16" (1.6mm)
CP-56 XX	SEE S.#2	RP-312	
CP-59 WE	WHITE	RP-312	3/32" (2.4mm)
CP-59 XX	SEE S.#2	RP-312	



4. PRE-ASSEMBLED ROLL PINS AVAILABLE UPON REQUEST.
3. ROLL PINS INCLUDED. PACKAGED SEPARATELY.
2. MATERIAL: NYLON 6/6, 94V-2, WHITE.
1. GENERAL SPECIFICATIONS: BIVAR MOLDED COMPONENT SPECIFICATION BV00-E101.

STANDARD TOLERANCE (UNLESS OTHERWISE SPECIFIED)	
DECIMALS	ANGULAR
.X ± .1	X° ± 1°
.XX ± .01	
.XXX ± .005	

BIVAR[®]
 4 THOMAS, IRVINE, CA. 92618
 TEL: (949) 951-8808 FAX: (949) 951-3974

DESIGNED: D. Green	DATE: 10/17/02	TITLE: CIRCUIT BOARD CARD EJECTOR PART NO: CP-5XX REVISION: D
CHECKED: M. Chen	DATE: 10/17/02	
CAGE CODE : 32559		SHEET # 1 OF 2
CAD GENERATED DOCUMENT. DO NOT MEASURE DRAWING.		

OTHER AVAILABLE COLORS

* SEE TABLE FOR ORDERING INFORMATION

REV.	DESCRIPTION	DATE	APPROVED
	SEE SHEET #1		


CP-5 _

CP SERIES
CP-56
CP-59

__

ORDER CODE	COLOR
AA	AQUA
BK	BLACK
BE	BLUE
BN	BROWN
FG	FOREST GREEN
GY	GRAY
GN	GREEN
LE	LIME
OE	ORANGE
PK	PINK
RD	RED
VT	VIOLET
YW	YELLOW

5. PARTS ARE DYED TO COLOR UPON REQUEST.

STANDARD TOLERANCE (UNLESS OTHERWISE SPECIFIED) DECIMALS ANGULAR		 4 THOMAS, IRVINE, CA. 92618 TEL: (949) 951-8808 FAX: (949) 951-3974	
DESIGNED: D. Green CHECKED: M. Chen		TITLE: CIRCUIT BOARD CARD EJECTOR	
		PART NO: CP-5XX REVISION: D	
DATE: 10/17/02		CAGE CODE : 32559 SHEET # 2 OF 2	
DATE: 10/17/02		CAD GENERATED DOCUMENT. DO NOT MEASURE DRAWING.	