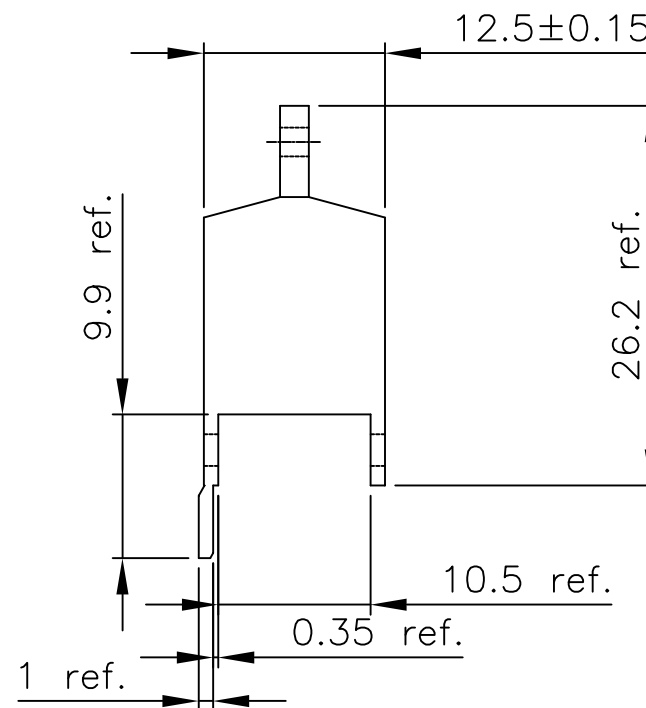
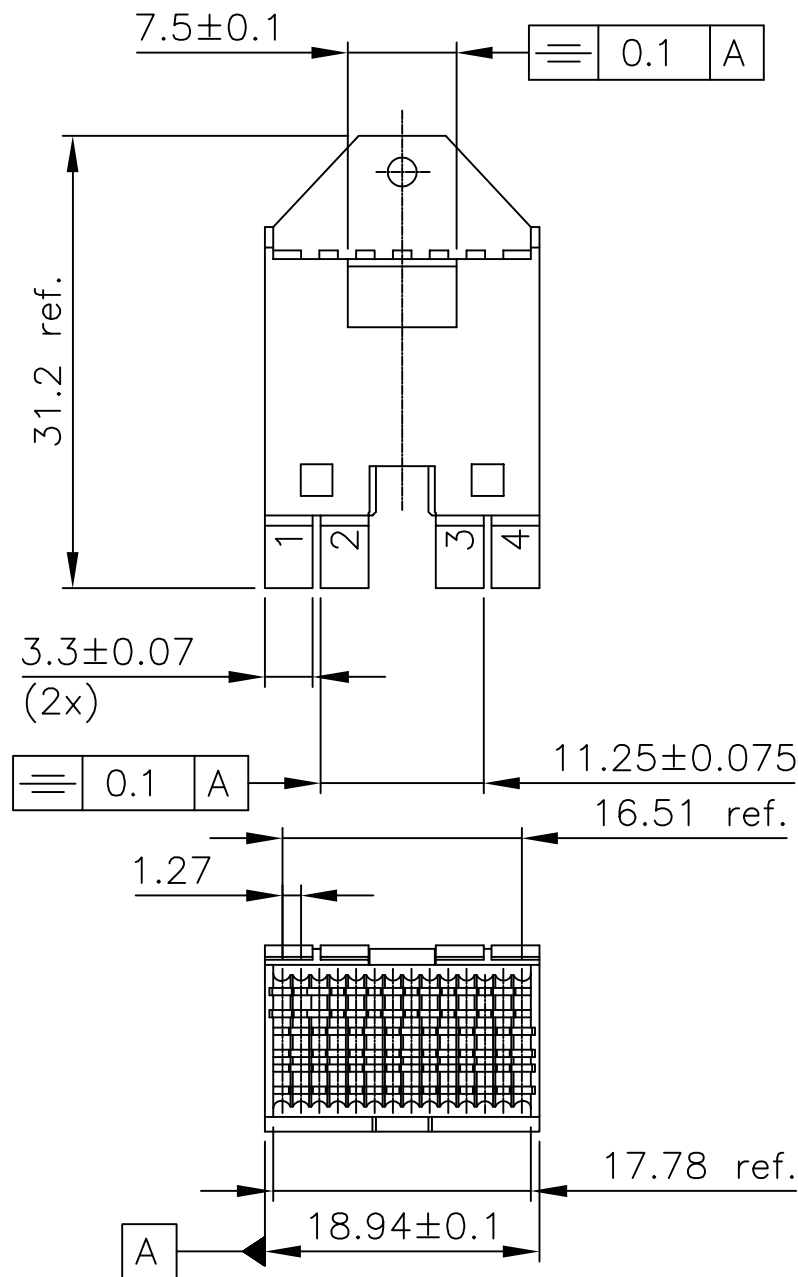


PRODUCT NUMBER	COLOUR	REMARKS
65190-001	BLACK	
65190-002	GREY	NON STANDARD



NOTES:-

1. THIS PRODUCT MEETS EUROPEAN UNION DIRECTIVES AND OTHER COUNTRY REGULATIONS AS DESCRIBED IN GS-22-008.
2. LEADFREE OR RoHS DIRECTIVE LABELLING TO BE PROVIDED AS PER GS-14-920.
3. " LF " SUFFIX TO PRODUCT NUMBER FOR RoHS COMPATIBLE/ LEADFREE VERSION.
4. PARTS WITH AND WITHOUT "LF " SUFFIX ARE FORM-FIT AND FUNCTIONALLY IDENTICAL. " LF " SUFFIX PROVIDED FOR PART NUMBER STANDARDISATION OF PART THAT MEETS RoHS REQUIREMENTS.

Notes:

1. Material: Thermoplastic polyester, 30% glass filled flame retardant per UL-94-V0, colour see table

mat'l. code see note		surface ISO 1302	tolerance ISO 406	projection ISO 1101	product family
ltr	ecn no	dr	date	tolerances unless otherwise specified	title
D	H20812	MVI	921218	angles linear	PIERCE COVER 3x7 positions
E	I05-0123	MINI	05.07.27		
F	I05-0248	MINI	05.11.22		
		dr	M. Visschers	921218	dwg no
		engr			sheet 1 of 1
		chr	Rakhee George	05.11.22	size
		app	Rakhee George	05.11.22	A3
sheet index	revision sheet	F			type
	1				CUSTOMER Drawing