

Panel feed-through - QPD W 3PE2,5 9-14 M25 DT BK - 1582181

Please be informed that the data shown in this PDF Document is generated from our Online Catalog. Please find the complete data in the user's documentation. Our General Terms of Use for Downloads are valid (<http://download.phoenixcontact.com>)



QUICKON panel feed-through, black, 3-pos. +PE, 1.0 mm² ... 2.5 mm² / 630 V / 20 A, with QUICKON nut, for cable diameters of 9 mm ... 14 mm, with Push-in spring-cage connection.

Product Features

- ✓ Innovative and time saving - QUICKON fast connection for time saving of up to 80% for on-site connection
- ✓ Convenient: quick and easy assembly without special tools
- ✓ Robust throughout: housing with IP68/IP69K and IK07 protection for a wide range of applications
- ✓ Safer connection thanks to polarization against mismatching and touch-proof protection according to DIN EN 0105
- ✓ Efficient - by using panel feed-throughs, devices no longer need to be opened in order to connect cables



Key commercial data

Packing unit	1 PCE
Custom tariff number	85366990
Country of origin	Germany

Technical data

General

Design	QPD 4x2,5
Color	black
Locking type	Screw locking
Connection method	QUICKON connection
	IDC connection
Number of positions	4
Note number of positions	3+PE
Wrench size, union nut	22 mm
Tightening torque, union nut	5 Nm
Tightening torque, counter nut	5 Nm
Wrench size, counter nut	27 mm

Panel feed-through - QPD W 3PE2,5 9-14 M25 DT BK - 1582181

Technical data

General

Number of connections	10
Conductor cross section stranded min.	1 mm ²
Conductor cross section stranded max.	2.5 mm ²
Conductor cross section solid min.	1 mm ²
Conductor cross section solid max.	2.5 mm ²
Conductor cross section AWG/kcmil min.	16
Conductor cross section AWG/kcmil max	14

Conductor

Structure of individual litz in acc. with VDE 0295 / smallest wire diameter	VDE 0295 class 1 to 6 / min. 0.15 mm
Wire insulation material	PVC / PE / Rubber / TPE
Wire diameter including insulation	2.5 mm ... 3.8 mm
External cable diameter	9 mm ... 14 mm

Ambient conditions

Degree of protection	IP68 (2 m / 24 h)
	IP69K
Ambient temperature (operation)	-40 °C ... 80 °C
Ambient temperature (storage/transport)	-40 °C ... 80 °C
Temperature when conductor connected	-5 °C ... 50 °C

Electrical characteristics

Nominal current I _N	20 A
Rated current	20 A
Rated voltage (III/3)	690 V
Rated voltage (III/2)	1000 V
Rated voltage (II/2)	1000 V
Rated surge voltage (III/3)	6 kV
Rated surge voltage (III/2)	8 kV
Rated surge voltage (II/2)	8 kV

Mechanical characteristics

QUICKON connectability	max. 10
Insertion/withdrawal cycles	>= 50 (Quickon connections max. 10)

Material data

Contact material	Cu
Contact surface material	Silver-plated
Contact carrier material	PA
Insulating material	PA

Panel feed-through - QPD W 3PE2,5 9-14 M25 DT BK - 1582181

Technical data

Material data

Inflammability class according to UL 94	V0
Surge voltage category	III
Pollution degree	3

Classifications

eCl@ss

eCl@ss 4.0	27140815
eCl@ss 4.1	27140815
eCl@ss 5.0	27143423
eCl@ss 5.1	27143423
eCl@ss 6.0	27143424
eCl@ss 7.0	27440209
eCl@ss 8.0	27440209

ETIM

ETIM 2.0	EC000516
ETIM 3.0	EC000516
ETIM 4.0	EC002635
ETIM 5.0	EC002635

UNSPSC

UNSPSC 6.01	31251501
UNSPSC 7.0901	31251501
UNSPSC 11	31251501
UNSPSC 12.01	39121522
UNSPSC 13.2	39121413

Approvals

Approvals

Approvals

VDE Zeichengenehmigung / GOST


Ex Approvals

Panel feed-through - QPD W 3PE2,5 9-14 M25 DT BK - 1582181

Approvals

Approvals submitted

Approval details

VDE Zeichengenehmigung 	
mm ² /AWG/kcmil	1.5-2.5
Nominal current I _N	20 A
Nominal voltage U _N	690 V

GOST 	
--	--

Accessories

Accessories

Coding element

Coding profile - CP-QPD - 1582459



Coding profile red, for pushing into the QUICKON dome and connector, can be positioned in 90° steps.

Device marking

Plastic label - EMLP (13X9)R - 0819453



Plastic label, Roll, white, Unlabeled, Can be labeled with: THERMOMARK ROLL, THERMOMARK X, THERMOMARK S1.1, Mounting type: Adhesive, Lettering field: 13 x 9 mm

Panel feed-through - QPD W 3PE2,5 9-14 M25 DT BK - 1582181

Accessories

Engraving material - GPE 13X 9 WH - 0806932



Engraving material, Sheet, white, Unlabeled, Can be labeled with: Engraving, Plotter, Mounting type: Adhesive, Lettering field: 13 x 9 mm

Mounting material

Nut - Q-MU M25 - 1640715



Nut (plastic) to lock the contact carrier from the inside of the device

Protective cap

Protective cap - QPD QSK 2,5 FS - 1582488



Plastic protective cap, for QPD-QUICKON connectors, green, with holding band, IP68

Protective cap - QPD QSK 2,5 - 1582150



Protective cap made of transparent plastic for QPD QUICKON connection 4x 2.5 mm², IP54.

Seal

Panel feed-through - QPD W 3PE2,5 9-14 M25 DT BK - 1582181

Accessories

Grommet - KV-DI-PG16-1XASI - 1582462



Seal for one AS-i line, 17.2 x 9 mm, from NBR, black, for IP65/67 degree of protection

Grommet - KV-DI-PG16-2XASI - 1582464



Seal for two AS-i lines, 17.2 x 9 mm, from NBR, black, for IP65/67 degree of protection

Sealing plugs

Closing cap - SEALING PLUG 10X16 RD - 1400284



Closing cap, for closing unused bore holes in multiple seals and cable glands, diameter 10 mm

Socket spanner

Socket wrench - QSS 22 - 1670206

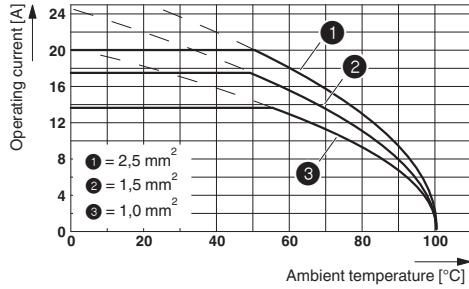


Allen wrench, for loosening and fastening the QUICKON union nut, WAF 22 mm

Drawings

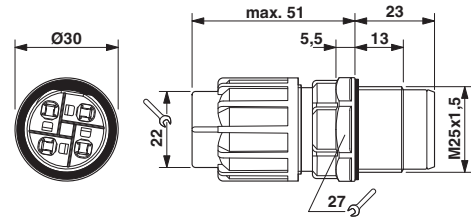
Panel feed-through - QPD W 3PE2,5 9-14 M25 DT BK - 1582181

Diagram



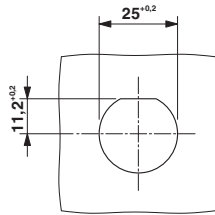
Derating diagram

Dimensioned drawing



Dimensional drawing: QPD W...

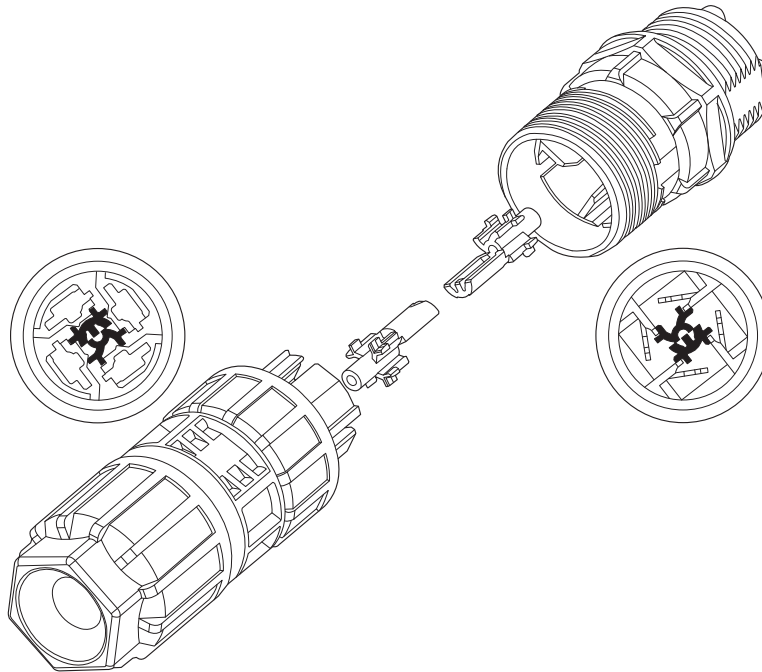
Dimensioned drawing



Panel cutout

Panel feed-through - QPD W 3PE2,5 9-14 M25 DT BK - 1582181

Schematic diagram



Encoding of the QUICKON connector